

Common Mode DC Surge Protective Device for PV

The SP series of modular SPDs is DIN rail mountable, based on patented MOV technology, providing advanced surge protection. The devices are UL Recognized and KEMA certified. The SPD base is designed to be mounted on 35 mm DIN rail while plugs are easily replaceable. The SPD has a patented thermal disconnecter design with an extinguishing device, which gives a quick thermal response and device cutoff.

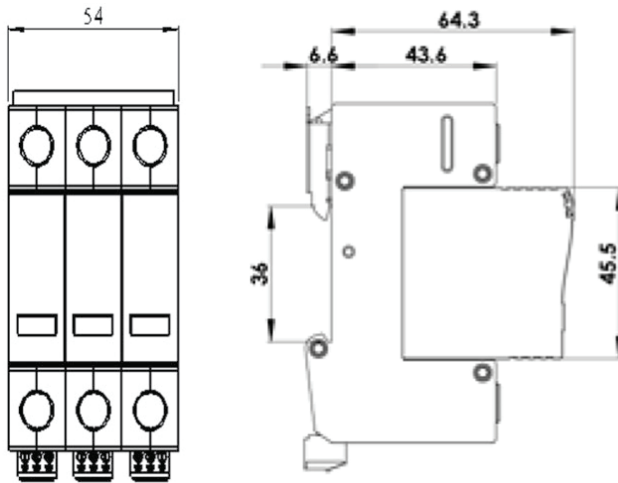
- DIN rail mountable and ease of installation
- Innovative thermally protected MOV technology (Patent)
- Quick thermal response self-protected design with internal arc extinguishing
- Visual indicator
- Maximum discharge current of 50 kA
- Meet all requirements of UL 1449 4th Edition, IEC61643-11
- Remote indicator, Form C
- In of 20 kA

Technical Data

TYPE	ASISPV600-V-CD-S	ASISPV800-V-CD-S	ASISPV1000-V-CD-S	ASISPV1200-V-CD-S
Standards	UL 1449 4 th Edition, IEC61641-11:2011			
Category UL/IEC	Type 1CA for use in Type 1, 2, and 3 Applications/Class C (II)			
Protection Mode	Differential & Common Mode			
Nominal Voltage	600 V	800 V	1000 V	1200 V
Max. Continuous Operating Voltage	700 V	920 V	1120 V	1490 V
SCCR Rating	50 kA			
Nominal Discharge Current (8/20) In	20 kA			
Max. Discharge Current (8/20) I _{max}	50 kA			
Response Time	≤ 25 ns			
Operating Temperature Range	-40°C...+80°C			
Operating Humidity Range	0-90%			
Dimensions	90 mm (D), 54 mm (W), 66 mm (H)			
Max. Size of Connecting Wire	Single-Strand 35 mm ² (or #2 AWG), Multi-Strand 25 mm ² (or #4 AWG)			
Mounting	35 mm DIN Rail in accordance with EN50022/DIN 46277-3			
Enclosure Material	Thermoplastic, UL94 V-0			
Degree of Protection	IP20			
Installation Width	3 Modules, DIN 43880			
Visual Indicator	Window: Green-OK, Red-Replace			
Remote Alarm Contact	1 Form C			
ADDITIONAL				
Remote Alarm Contact Type	Isolated Form C			
Switching Capability UN/IN	AC: 250 V/0.5A, DC: 250 V/0.1A, 125 V/0.2A, 75 V/0.5A			
Max. Size of Connecting Wire	Max. 1.5 mm ² (or #16 AWG)			



Dimensions



Basic Circuit Diagram

